

THIS IS A STANDARD PROPRIETARY PRODUCT DEVELOPED, MANUFACTURED, AND MARKETED BY INTECH, INC. THE DESIGN IS THE EXCLUSIVE PROPERTY OF INTECH.

REVISIONS					
SYM	DATE	DESCRIPTION	DRAWN	CHECKED	APPROVED

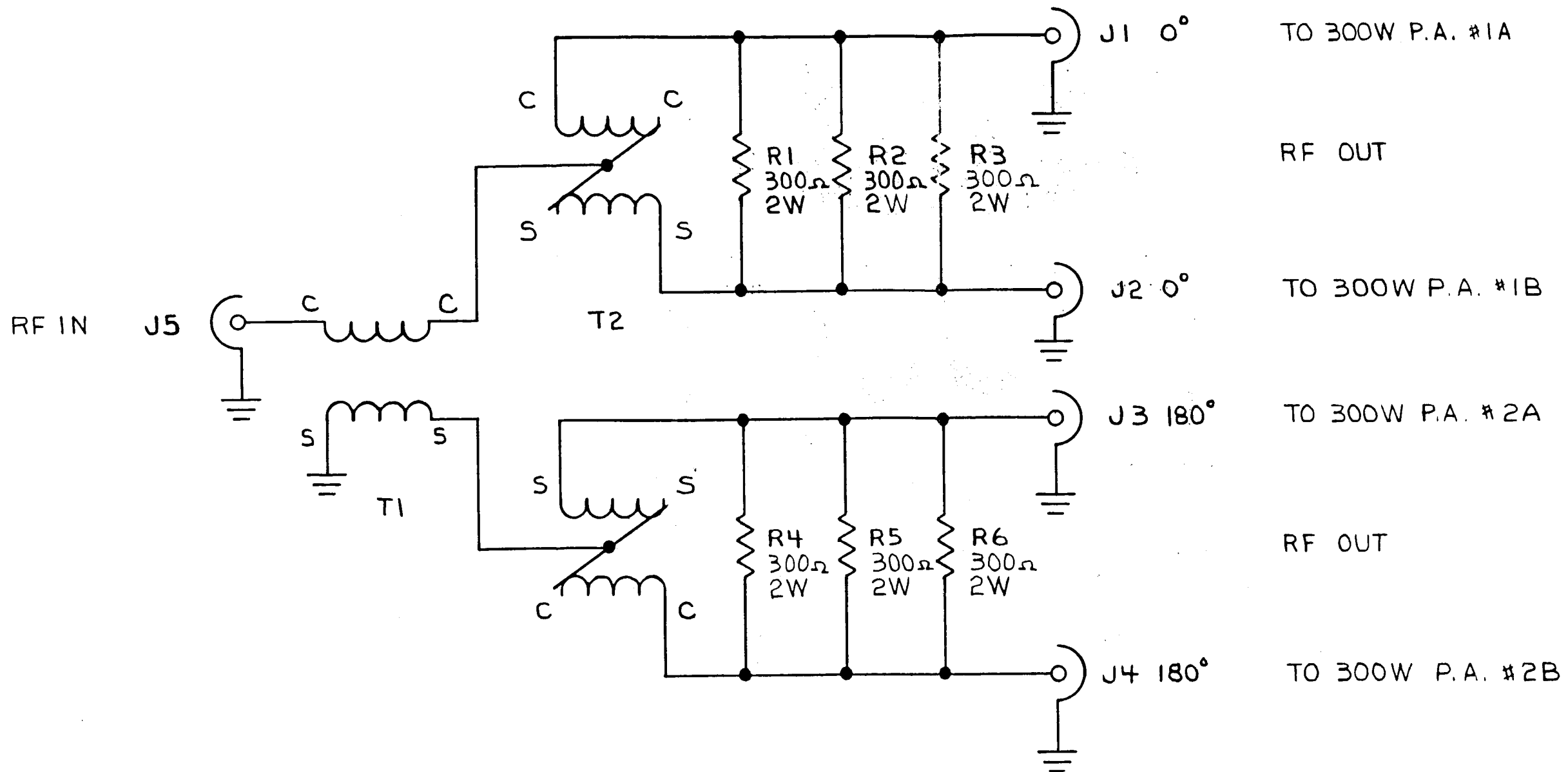


FIG. 4.2

QTY	NEXT ASSY	USED ON
1		COM 1000

DRAWN	DATE
P. Tong	5-24-84
CHECKED	
ENG	
MFG	
QA	

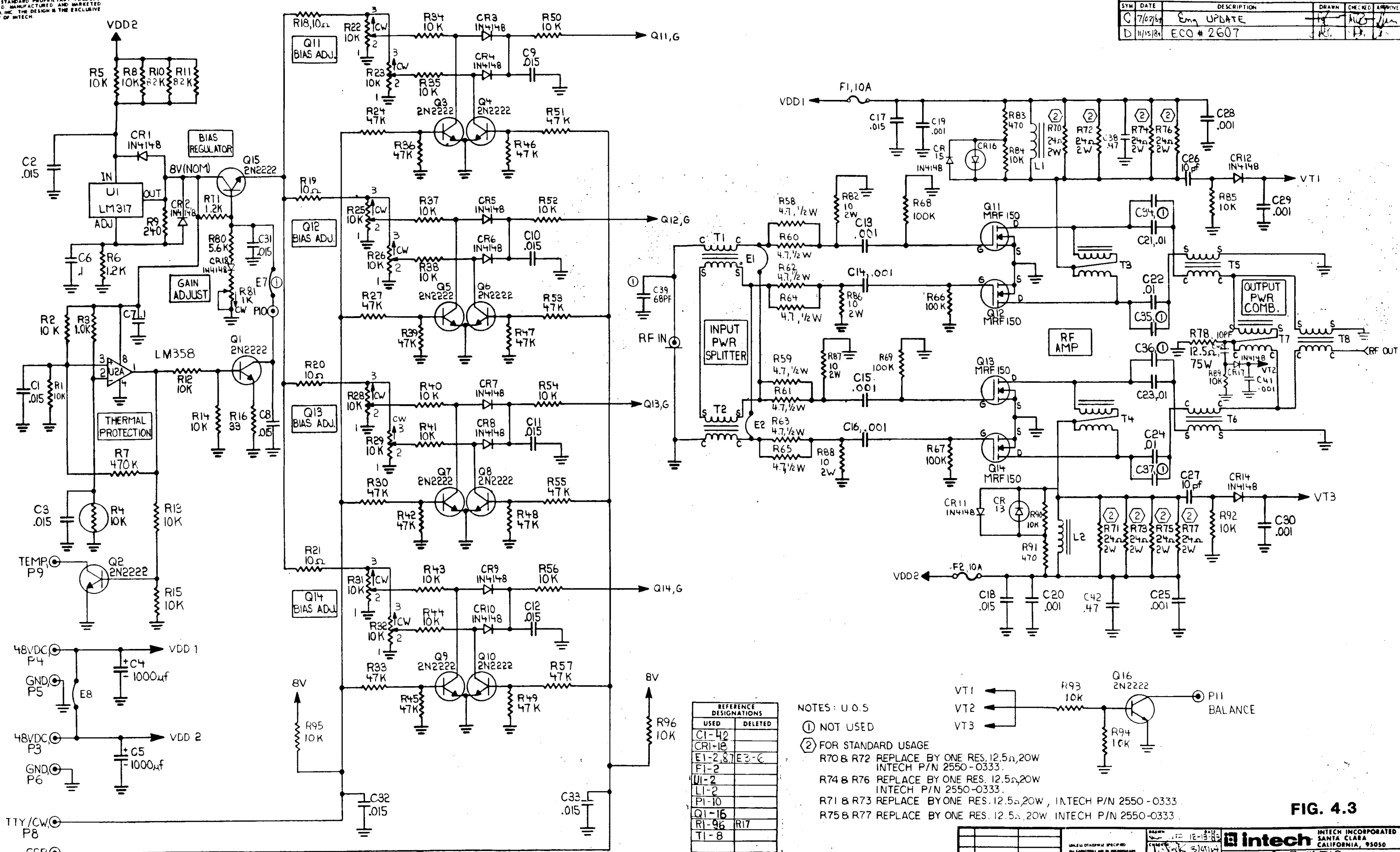
intech INTECH INCORPORATED
SANTA CLARA
CALIFORNIA, 95050

TITLE
INPUT POWER SPLITTER
SCHEMATIC

SIZE	CODE IDENT NO	DRAWING NO	REV
B	33967	1-159098	A
SCALE		SHEET OF	

THIS IS A STANDARD PROPRIETARY PRODUCT DEVELOPED, MANUFACTURED, AND MARKETED BY INTECH, INC. THE DESIGN IS THE EXCLUSIVE PROPERTY OF INTECH.

REVISIONS				
SYM	DATE	DESCRIPTION	DRAWN	CHECKED
C	7/6/76	Eng UPDATE		
D	11/15/84	ECO # 2607		



REFERENCE DESIGNATIONS	
USED	DELETED
C1-42	
CR1-18	
E1-2,8	E3-C
F1-2	
U1-2	
L1-2	
P1-10	
Q1-16	
R1-96	R17
T1-8	

NOTES: U.O.S
 (1) NOT USED
 (2) FOR STANDARD USAGE
 R70 & R72 REPLACE BY ONE RES. 12.5Ω, 20W INTECH P/N 2550-0333.
 R74 & R76 REPLACE BY ONE RES. 12.5Ω, 20W INTECH P/N 2550-0333.
 R71 & R73 REPLACE BY ONE RES. 12.5Ω, 20W, INTECH P/N 2550-0333.
 R75 & R77 REPLACE BY ONE RES. 12.5Ω, 20W, INTECH P/N 2550-0333.

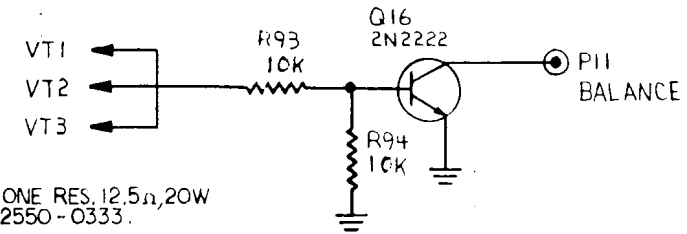
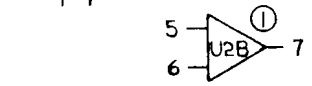


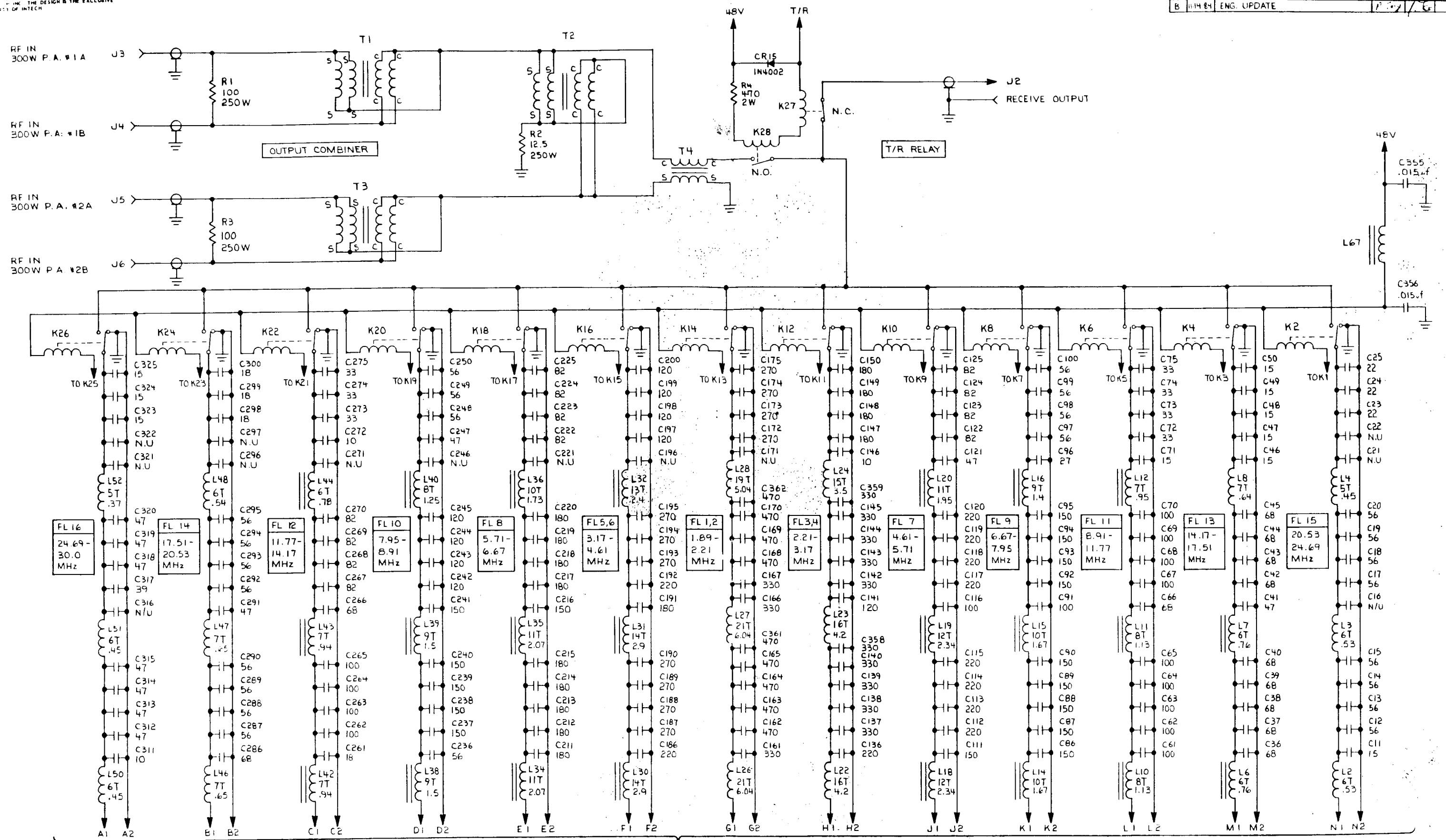
FIG. 4.3



UNLESS OTHERWISE SPECIFIED:		INTECH INCORPORATED SANTA CLARA CALIFORNIA, 95050	
ALL DIMENSIONS ARE IN MILLIMETERS ALL DIMENSIONS ARE 1/16" ± 0.0015"		SCHEMATIC, 300W.POW.AMP.COM1000B	
2	COM500	33967	1-158995
4	COM1000	SCALE	N/A
QTY	NEXT ASSY	USED ON	SHEET OF

THIS IS A STANDARD PROPRIETARY PRODUCT OF INTECH MANUFACTURED AND MARKED AS SUCH. THE DESIGN IS THE EXCLUSIVE PROPERTY OF INTECH.

REVISIONS				
SYM	DATE	DESCRIPTION	DRAWN	CHECKED
B	11/14/84	ENG. UPDATE		



TO SHEET 2 OF 2

FIG. 4.4

ALL DIMENSIONS UNLESS SPECIFIED: A. CAPACITORS ARE IN P.F. UNLESS OTHERWISE NOTED. B. DIMENSIONS ARE IN INCHES UNLESS OTHERWISE NOTED. C. DIMENSIONS ARE IN MILLIMETERS UNLESS OTHERWISE NOTED. D. DIMENSIONS ARE IN MILLIMETERS UNLESS OTHERWISE NOTED. E. DIMENSIONS ARE IN MILLIMETERS UNLESS OTHERWISE NOTED. F. DIMENSIONS ARE IN MILLIMETERS UNLESS OTHERWISE NOTED.		DRAWN: P. 702 DATE: 5-31-84 CHECKED: 10/26/84 BY: [Signature]	Intech INCORPORATED SANTA CLARA CALIFORNIA, 95050
QTY NEXT ASSY USED ON		TITLE: FILTER BOARD - SCHEMATIC COM 1000	
D 33967		DRAWING NO: 1-159101	
SCALE		SHEET 1 OF 2	

THIS IS A STANDARD PROPRIETARY PRODUCT DEVELOPED, MANUFACTURED, AND MARKETED BY INTECH, INC. THE DESIGN IS THE EXCLUSIVE PROPERTY OF INTECH.

REVISIONS					
SYM	DATE	DESCRIPTION	DRAWN	CHECKED	APPROVED

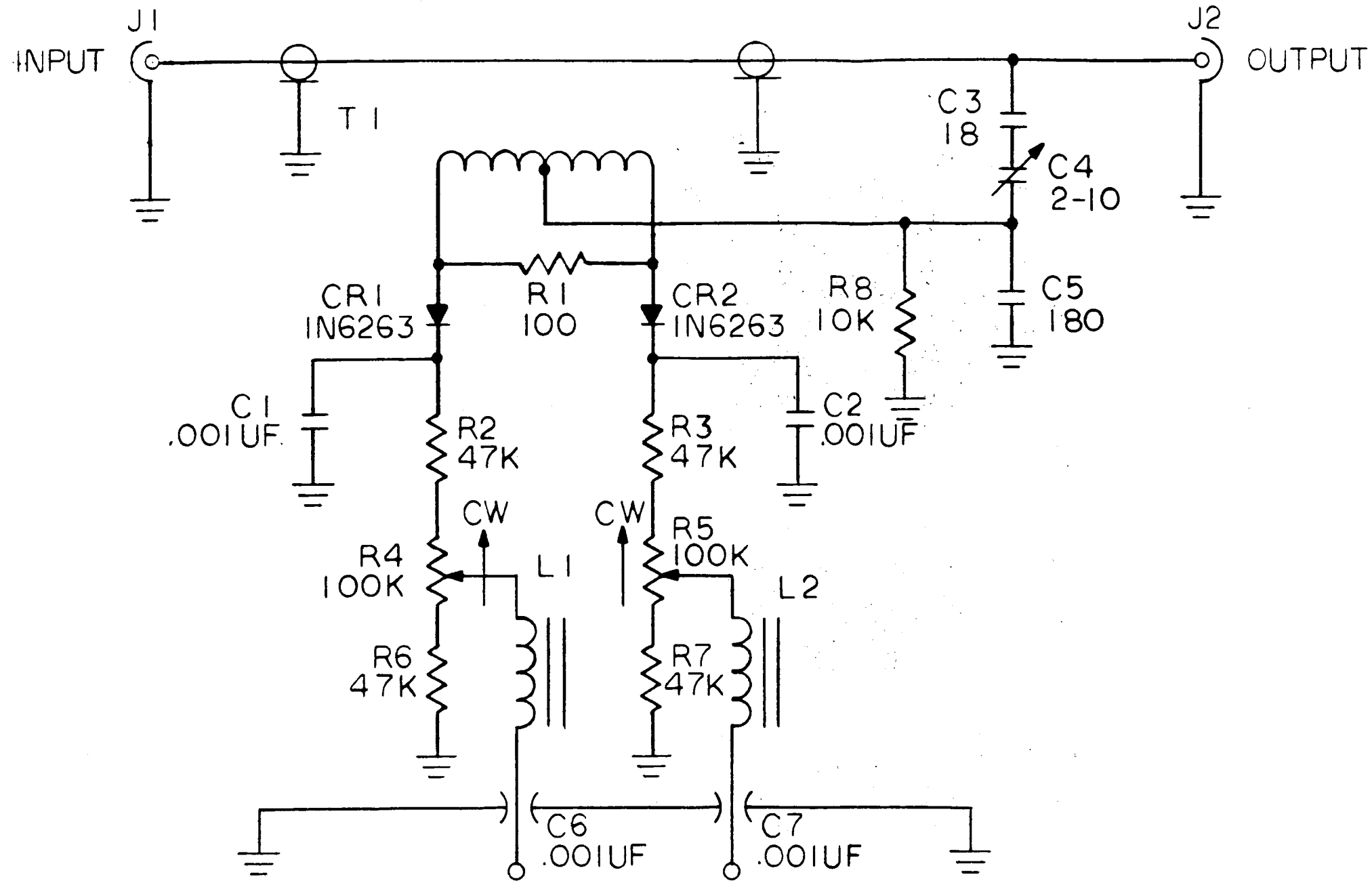


FIG. 4.5

QTY	NEXT ASSY	USED ON
1		COM 500
1		COM 1000

UNLESS OTHERWISE SPECIFIED
 ALL CAPACITORS ARE IN PICO FARADS
 ALL RESISTORS ARE 1/4W, 5% AND
 ARE IN OHMS.

DRAWN	DATE
P. Long	7-24-84
CHECKED	
ENG	
APPROVALS	
MFG	
QA	

intech		INTECH INCORPORATED SANTA CLARA CALIFORNIA, 95050	
TITLE VSWR DETECTOR SCHEMATIC			
SIZE	CODE IDENT NO	DRAWING NO	REV
B	33967	1-159139	A
SCALE		SHEET	OF

THIS IS A STANDARD PROPRIETARY PRODUCT DEVELOPED, MANUFACTURED, AND MARKETED BY INTECH, INC. THE DESIGN IS THE EXCLUSIVE PROPERTY OF INTECH.

REVISIONS			DRAWN	CHECKED	APPROVED
REV	DATE	DESCRIPTION			
B	11/2/84	ENG UPDATE	P. Long		

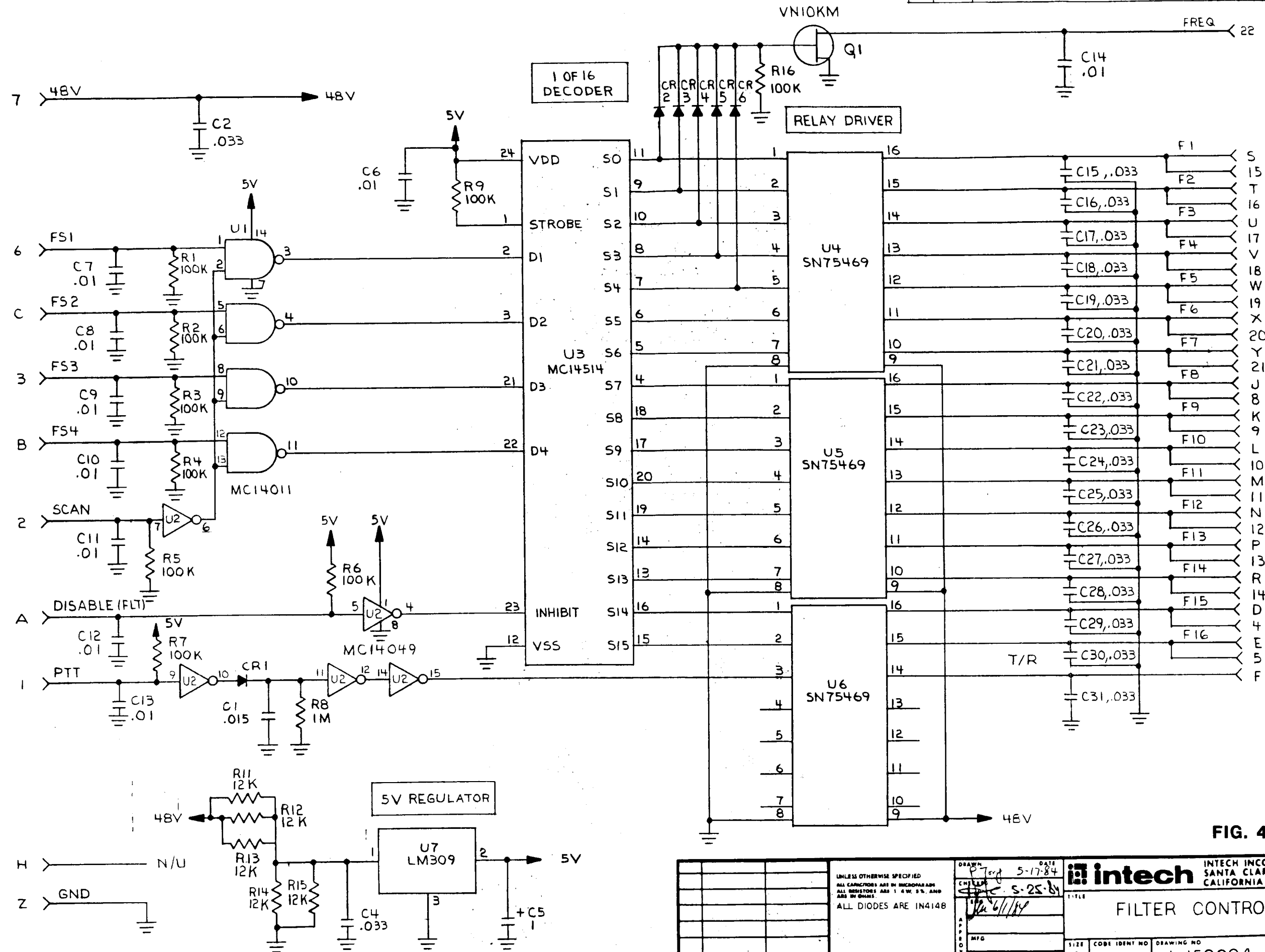
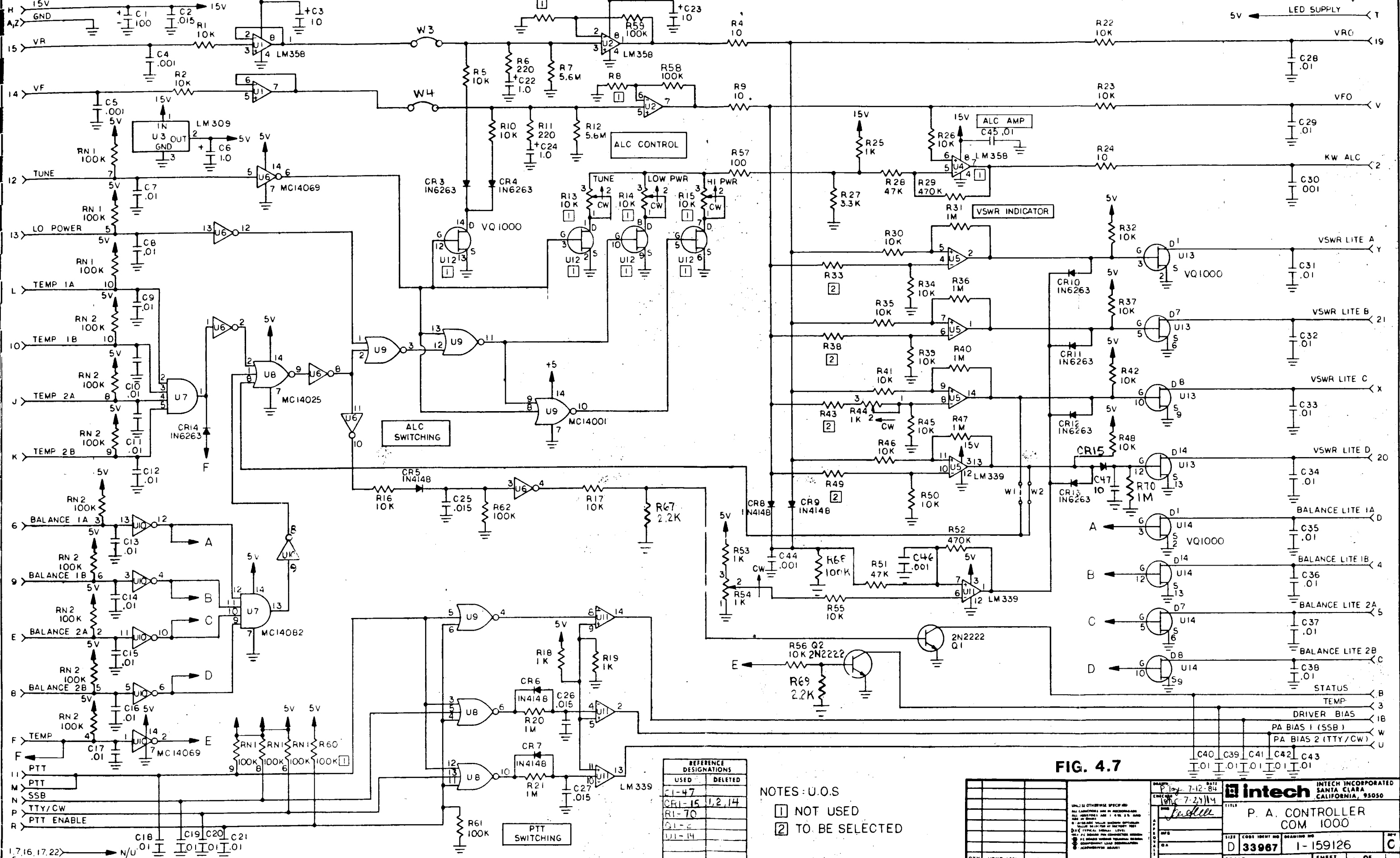


FIG. 4.6

UNLESS OTHERWISE SPECIFIED ALL CAPACITORS ARE IN MICROFARADS ALL RESISTORS ARE 1/4 W, 5%, AND ARE 1/4 INCH. ALL DIODES ARE IN4148		DRAWN: P. Long DATE: 5-17-84 CHECKED: S. 25-84 DATE: 6/1/84	intech INTECH INCORPORATED SANTA CLARA CALIFORNIA, 95050
QTY: 1 NEXT ASSY: 3-159094 USED ON: COM 1000		TITLE: FILTER CONTROLLER	
MFG: 1 QA: 3-159094		SIZE: C CODE IDENT NO: 33967 DRAWING NO: 1-159094	REV: B
SCALE		SHEET OF	

THIS IS A STANDARD PROPRIETARY P.C.B. DESIGN DEVELOPED, MANUFACTURED, AND MARKETED BY INTECH, INC. THE DESIGN IS THE EXCLUSIVE PROPERTY OF INTECH.

REVISIONS				
SYM	DATE	DESCRIPTION	DRAWN	APPROVED
B	11-28-84	ENG UPDATE		



REFERENCE DESIGNATIONS	
USED	DELETED
C1-47	
CR1-15	1, 2, 14
R1-70	
Q1-2	
U1-14	

NOTES: U.O.S.
 ① NOT USED
 ② TO BE SELECTED

FIG. 4.7

QTY	NEXT ASSY	USED ON	DATE: 7-12-84	 INTECH INCORPORATED SANTA CLARA, CALIFORNIA, 95050
			DATE: 7-27-84	
			TITLE: P. A. CONTROLLER COM 1000	D 33967 1-159126 C
			SCALE: SHEET OF	

THIS IS A STANDARD PROPRIETARY PRODUCT DEVELOPED, MANUFACTURED AND MARKETED BY INTECH INC. THE DESIGN IS THE EXCLUSIVE PROPERTY OF INTECH.

REVISIONS				
NO.	DATE	DESCRIPTION	DRAWN	CHECKED
E	11-2-84	ENG. UPDATE, REDRAW SH 2	P. J.	J.L.

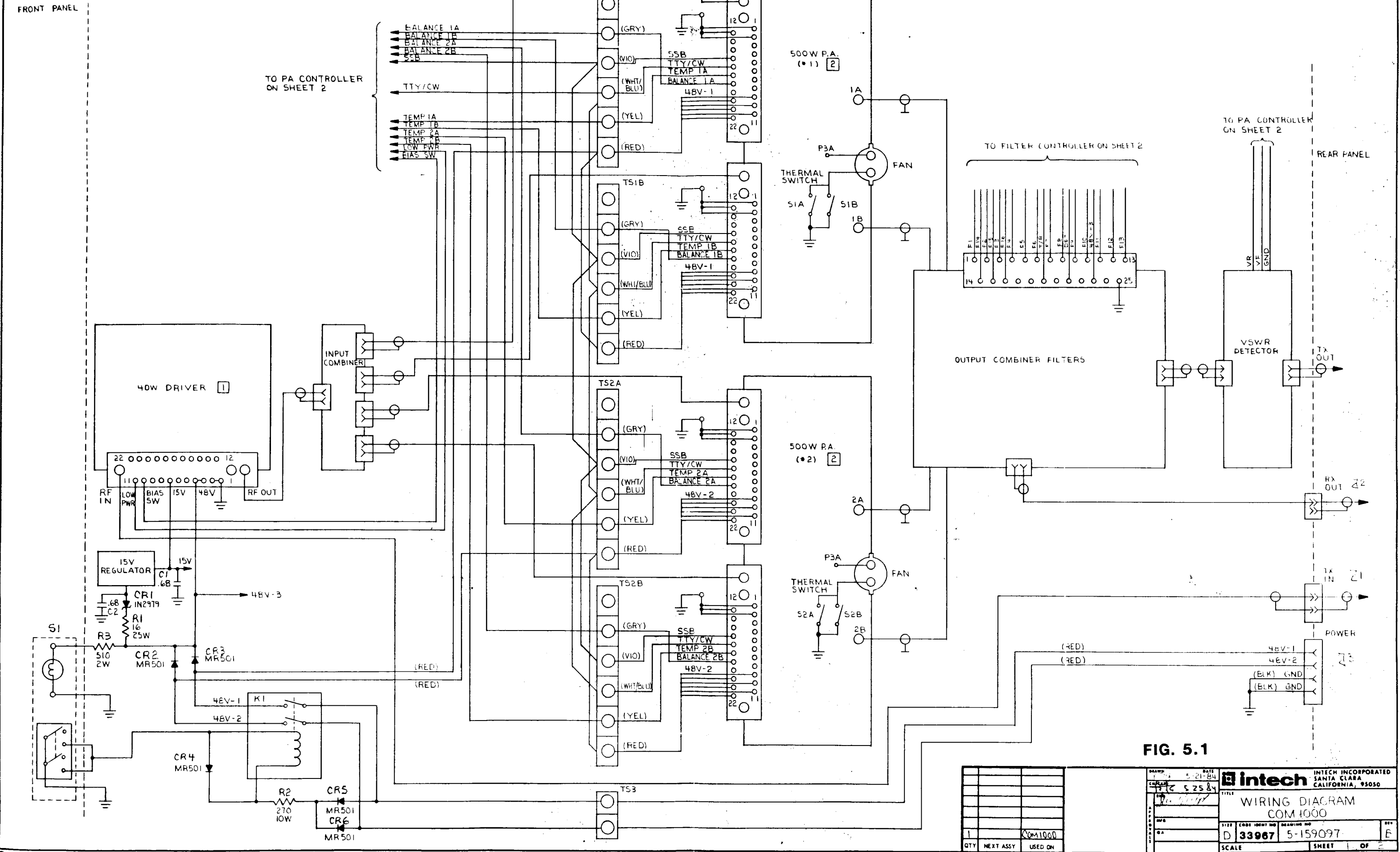


FIG. 5.1

QTY	NEXT ASSY	USED ON	1	COM 1000
-----	-----------	---------	---	----------

DATE	5-21-84	DATE	5-21-84
DESIGNER	S. 2584	DATE	5-21-84
SCALE		SCALE	
INTECH INCORPORATED SANTA CLARA, CALIFORNIA, 95050		TITLE WIRING DIAGRAM COM 1000	
D 33967		5-159097	
SHEET 1 OF 2			

